



This data sheet  
interacts with

MCS Catalogue



# HepcoMotion®

## HepcoMotion® MCS Workbench and Storage Solutions

HepcoMotion® can supply a wide range of standard aluminium MCS frames to enable a prompt quotation and fast delivery option. Shown below are examples of Hepco MCS frames, some are part of the standard range, others show alternative designs that can be achieved. The rest of the data sheet then details the standard frames available to order.

Simply fill in the details on the customer enquiry form and the relevant frame page and either email or fax back for a prompt reply.



**Standard Workbench** fitted with work top and feet.



**Standard Trolley** fitted with worktop and castors.



**Standard Trolley** with shallow drawer, worktop and castors.



**Standard Workbench** with deep drawer, worktop and feet.



**Three shelf unit** fitted with side and back panels, feet and optional smooth sided profile.

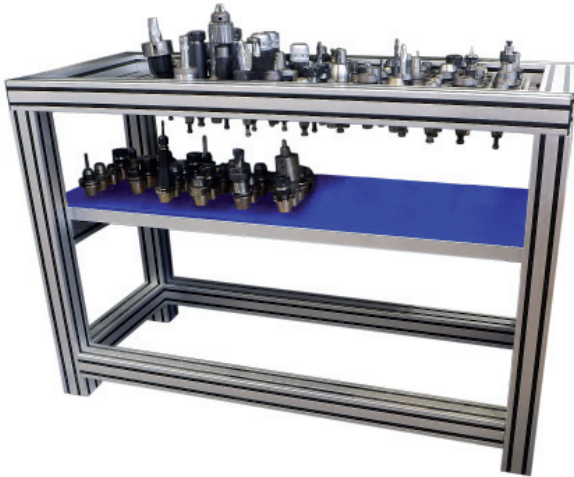


**Workbench** with two shallow drawers and two deep drawers on the left side and an open storage section on the right. Shown with optional smooth sided profile.

# HepcoMotion MCS Workbench and Storage Solutions



**Table frame** designed for use as a computer desk, with space on the right to store the computer tower. Shown with optional smooth sided profile.



**Table frame** with extra shelf. Cutouts in the shelves enable it to be used as a machine tool holder.



**Five shelf unit** with side and back panels fitted.



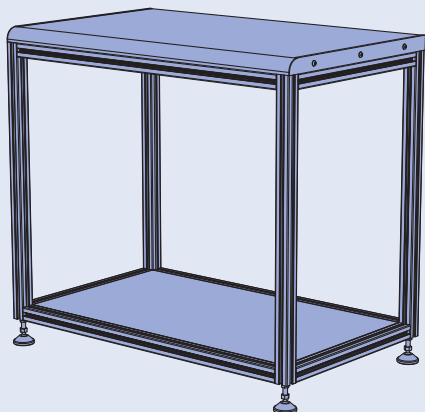
**Standard Covered Workbench** with pegboard panels fitted to the back. Fitted with worktop and feet.



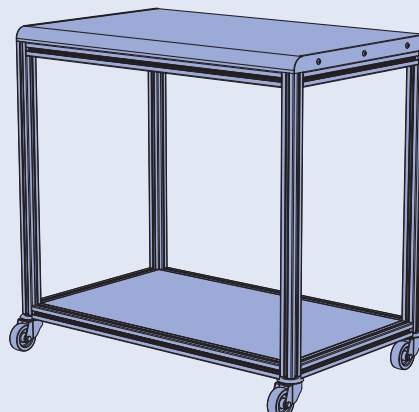
**Trolley frame** designed to hold a variety of equipment neatly in one place, whether on the tool rack or in one of the drawers.

From the index below identify which HepcoMotion MCS frame matches your application requirements. Click on the picture below to take you straight to the page and choose a size that matches your requirement, alternatively fill in the dimensions required and return this together with the customer enquiry form, page 12, to Hepco for a rapid quotation.

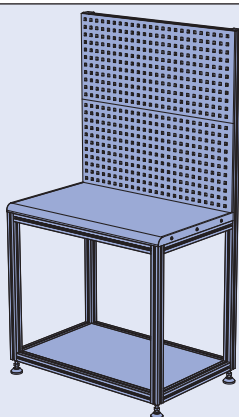
## HepcoMotion MCS Frame Type



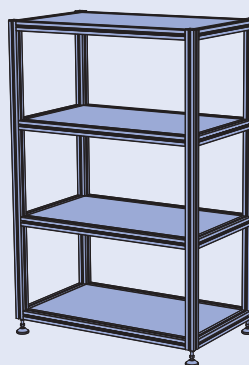
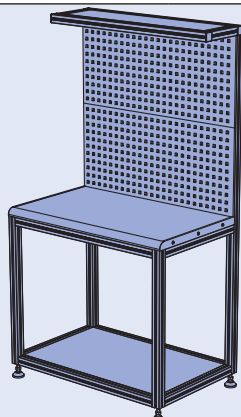
**Standard Workbench**



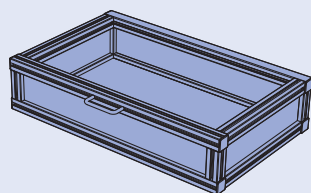
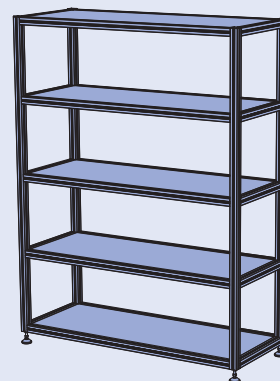
**Standard Trolley**



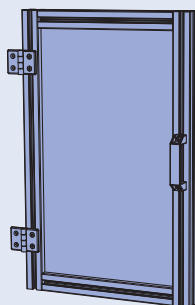
**High Back Workbench**



**Shelving Unit**



**Accessories**



**Customer Enquiry Form**

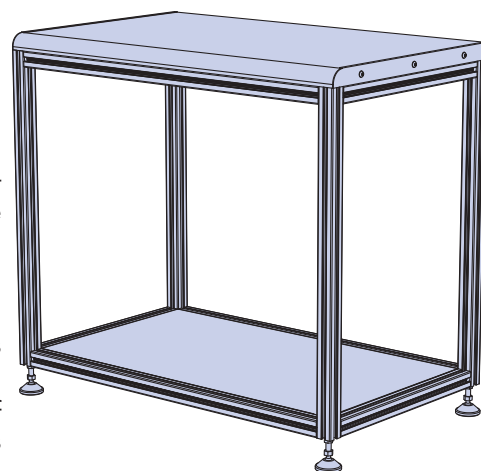




## Standard Workbench

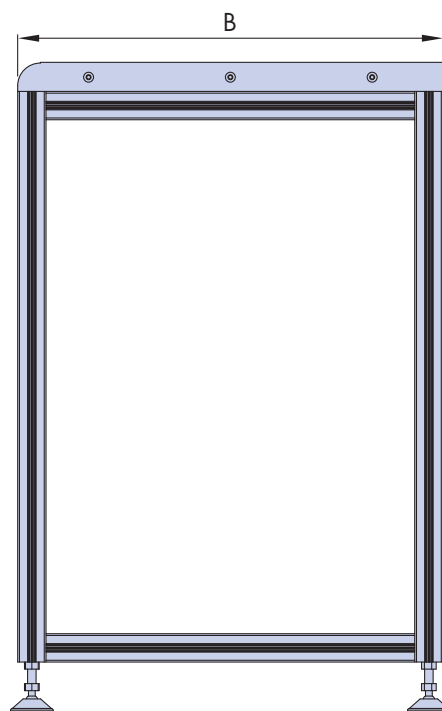
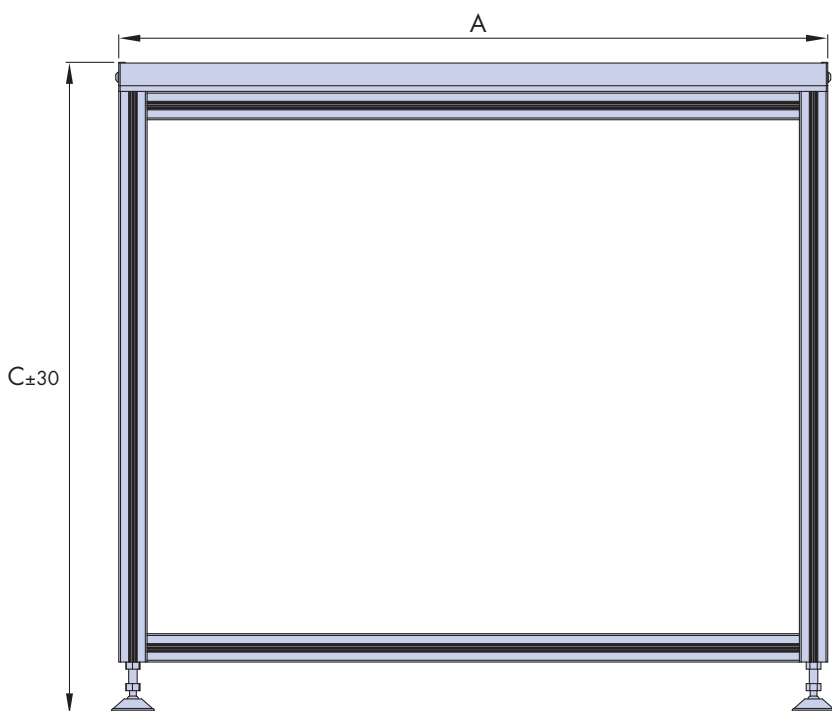
The standard workbench is available in the following sizes:

- 3 standard lengths (**A**): **1200mm, 1500mm and 1800mm.**
- 2 standard widths (**B**): **600mm and 900mm.**
- 2 standard heights (**C**): **750mm and 900mm** ±30mm due to the adjustment of the feet. Workbenches use standard MCS feet, part number 1-243-0050, see page 26 of the MCS catalogue, for more information.
- All standard workbenches will be constructed using size 40 Hepco MCS aluminium profile, part number 0-132-4040, see Hepco MCS catalogue page 7 for more details.
- The workbench will be supplied with 30mm thick laminated worktop, this is available in two standard colours, black and grey, see page 8 for more information.
- The workbench can be customised to suit requirements with the addition of optional accessories, these include drawers, side panels and doors, see pages 8-9 for more details.



Simply tick box for the required size in the table below and either email or fax back to us along with the customer enquiry form to enable a rapid quotation.

If our standard sizes are not suitable for your requirements and a more customised bench is required please fill in the required dimensions into the right hand side of the table below, add any additional profiles or dimensions required directly on the drawing below and send back with the customer enquiry form to enable a rapid response.



Standard Workbench (MCSSW) Dimensions					
Simply put a tick in the box next to the required size					
<b>A</b>	1200	<input type="checkbox"/>	1500	<input type="checkbox"/>	1800
<b>B</b>	600	<input type="checkbox"/>	900	<input type="checkbox"/>	<input type="checkbox"/>
<b>C</b>	750	<input type="checkbox"/>	900	<input type="checkbox"/>	<input type="checkbox"/>

Custom Workbench Dimensions	
Please enter all dimensions in mm	
<b>A</b>	<input type="text"/>
<b>B</b>	<input type="text"/>
<b>C</b>	<input type="text"/>

For any help or advice, please contact Hepco's MCS technical department.

**Please fax or email this page along with the customer enquiry form directly to**

HepcoMotion®, Lower Moor Business Park,  
Tiverton Way, Tiverton, Devon, England EX16 6TG

**Tel: +44 (0) 1884 257000**

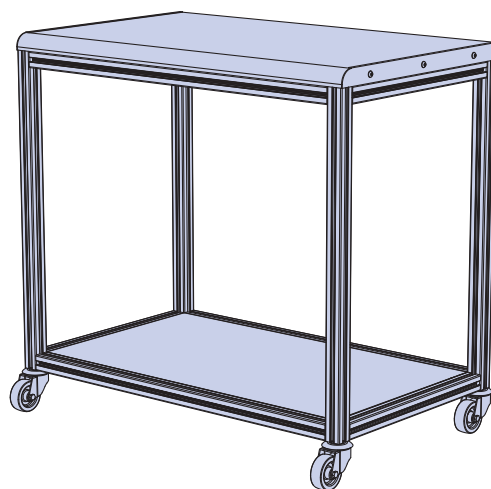
**Fax: +44 (0) 1884 243500**

**E-mail: sales@hepcotion.com**

## Standard Trolley

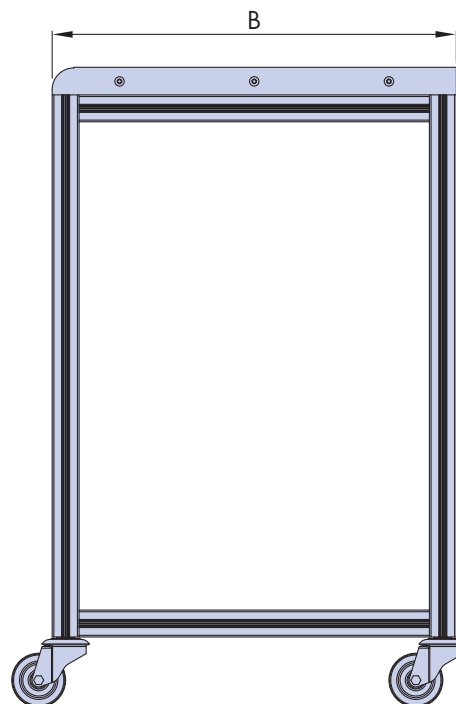
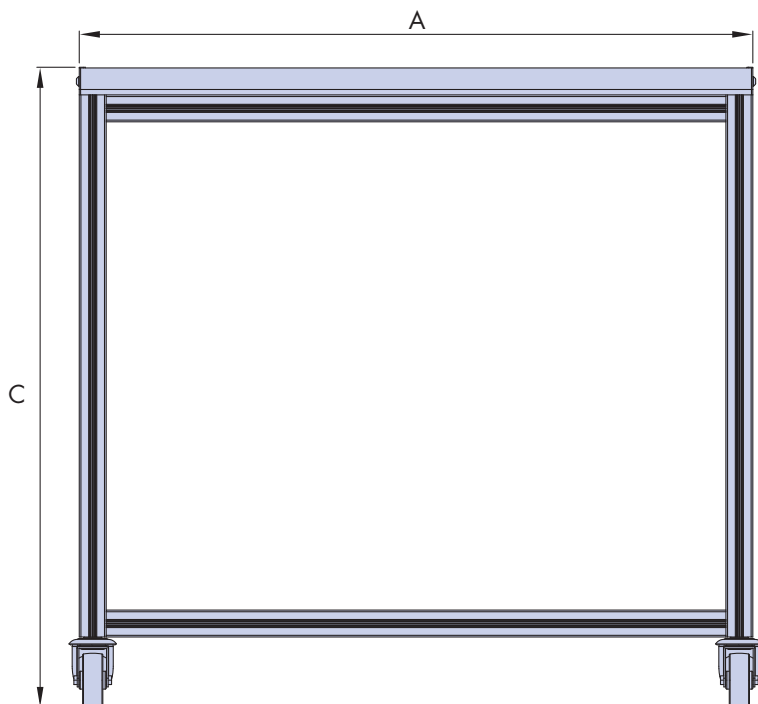
The standard trolley is available in the following sizes:

- 3 standard lengths (A): **1200mm, 1500mm and 1800mm.**
- 2 standard widths (B): **600mm and 900mm.**
- 2 standard heights (C): **750mm and 900mm.**
- All standard trollies will be constructed using size 40 Hepco MCS aluminium profile, part number 0-132-4040, see Hepco MCS catalogue page 7 for more details.
- Standard trollies will be supplied with unbraked castors as standard. These are taken from the standard Hepco MCS range, part number C80T and have a load capacity of 90kg/ea.
- The trolley will be supplied with 30mm thick laminated worktop, this is available in two standard colours, black and grey, see page 8 for more information.
- The trolley can be customised to suit requirements with the addition of optional accessories, these include drawers, side panels and doors, see pages 8-9 for more details.



Simply tick box for the required size in the table below and either email or fax back to us along with the customer enquiry form to enable a rapid quotation.

If our standard sizes are not suitable for your requirements and a more customised trolley is required please fill in the required dimensions into the table below, add any additional profiles or dimensions required directly on the drawing below and send back with the customer enquiry form to enable a rapid response.



Standard Trolley (MCSST) Dimensions					
Simply put a tick in the box next to the required size					
<b>A</b>	1200	<input type="checkbox"/>	1500	<input type="checkbox"/>	1800
<b>B</b>	600	<input type="checkbox"/>	900	<input type="checkbox"/>	<input type="checkbox"/>
<b>C</b>	750	<input type="checkbox"/>	900	<input type="checkbox"/>	<input type="checkbox"/>

Custom Workbench Dimensions	
Please enter all dimensions in mm	
<b>A</b>	<input type="text"/>
<b>B</b>	<input type="text"/>
<b>C</b>	<input type="text"/>

Braked castors can be supplied if required, please fill in the relevant box on the ordering page.

For any help or advice, please contact Hepco's MCS technical department.

**Please fax or email this page along with the customer enquiry form directly to**

HepcoMotion®, Lower Moor Business Park,  
Tiverton Way, Tiverton, Devon, England EX16 6TG

**Tel: +44 (0) 1884 257000**

**Fax: +44 (0) 1884 243500**

**E-mail: sales@hepcotion.com**

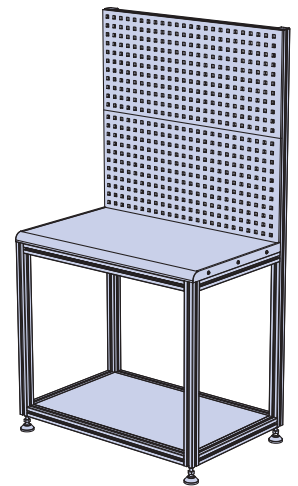
## High Back Workbench

The high back workbench is available in the following sizes:

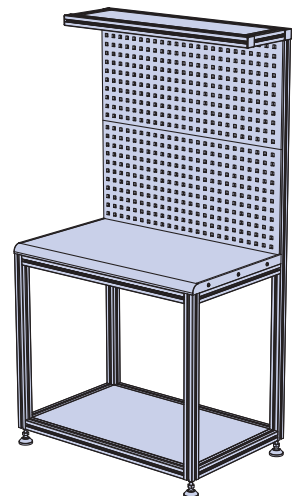
- 3 standard lengths (A): **990mm**, **1486mm** and **1981mm**.
- 2 standard widths (B): **640mm** and **940mm**.
- 2 standard heights (C): **750mm** and **900mm**.
- The overall height dimension will be  $\pm 30\text{mm}$  due to the adjustment in the feet.
- All standard workbenches will be constructed using size 40 Hepco MCS aluminium profile, part number 0-132-4040, see Hepco MCS catalogue page 7 for more details.
- High backed workbenches will be supplied with powder coated steel pegboard panels.
- The workbench will be supplied with 30mm thick laminated worktop, this is available in two standard colours, black and grey, see page 8 for more information.
- The workbench can be customised to suit requirements with the addition of optional accessories, these include drawers, side panels and doors, see pages 8-9 for more details.

Simply tick box for the required size in the table below and either email or fax back to us along with the customer enquiry form to enable a rapid quotation.

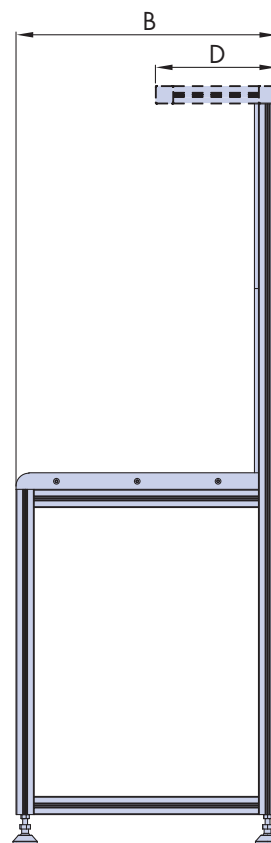
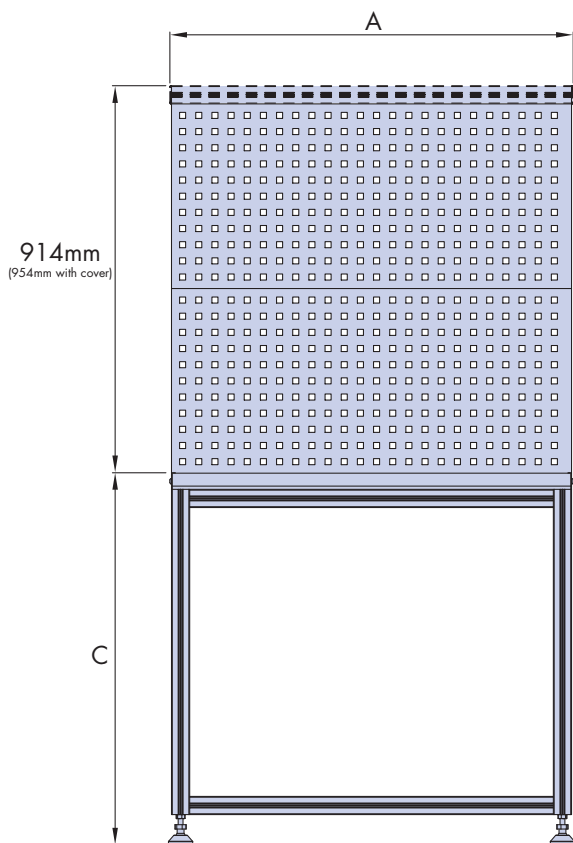
If our standard sizes are not suitable for your requirements and a more customised bench is required please fill in the required dimensions into the table below, add any additional profiles or dimensions required directly on the drawing below and send back with the customer enquiry form to enable a rapid response.



Without Cover



With Cover



High Back Workbench (MCSHBW) Dimensions					
Simply put a tick in the box next to the required size					
<b>A</b>	990	<input type="checkbox"/>	1486	<input type="checkbox"/>	1981
<b>B</b>	640	<input type="checkbox"/>	940	<input type="checkbox"/>	
<b>C</b>	750	<input type="checkbox"/>	900	<input type="checkbox"/>	
<b>D*1</b>	300	<input type="checkbox"/>	450	<input type="checkbox"/>	

Custom Workbench Dimensions	
Please enter all dimensions in mm	
<b>A</b>	<input type="text"/>
<b>B</b>	<input type="text"/>
<b>C</b>	<input type="text"/>
<b>D</b>	<input type="text"/>

1. This dimension relates to the cover of the workbench, if cover not required please leave dimension D blank.

**Please fax or email this page along with the customer enquiry form directly to**

HepcoMotion®, Lower Moor Business Park,  
Tiverton Way, Tiverton, Devon, England EX16 6TG

**Tel: +44 (0) 1884 257000**

**Fax: +44 (0) 1884 243500**

**E-mail: sales@hepcotion.com**

For any help or advice, please contact Hepco's MCS technical department.

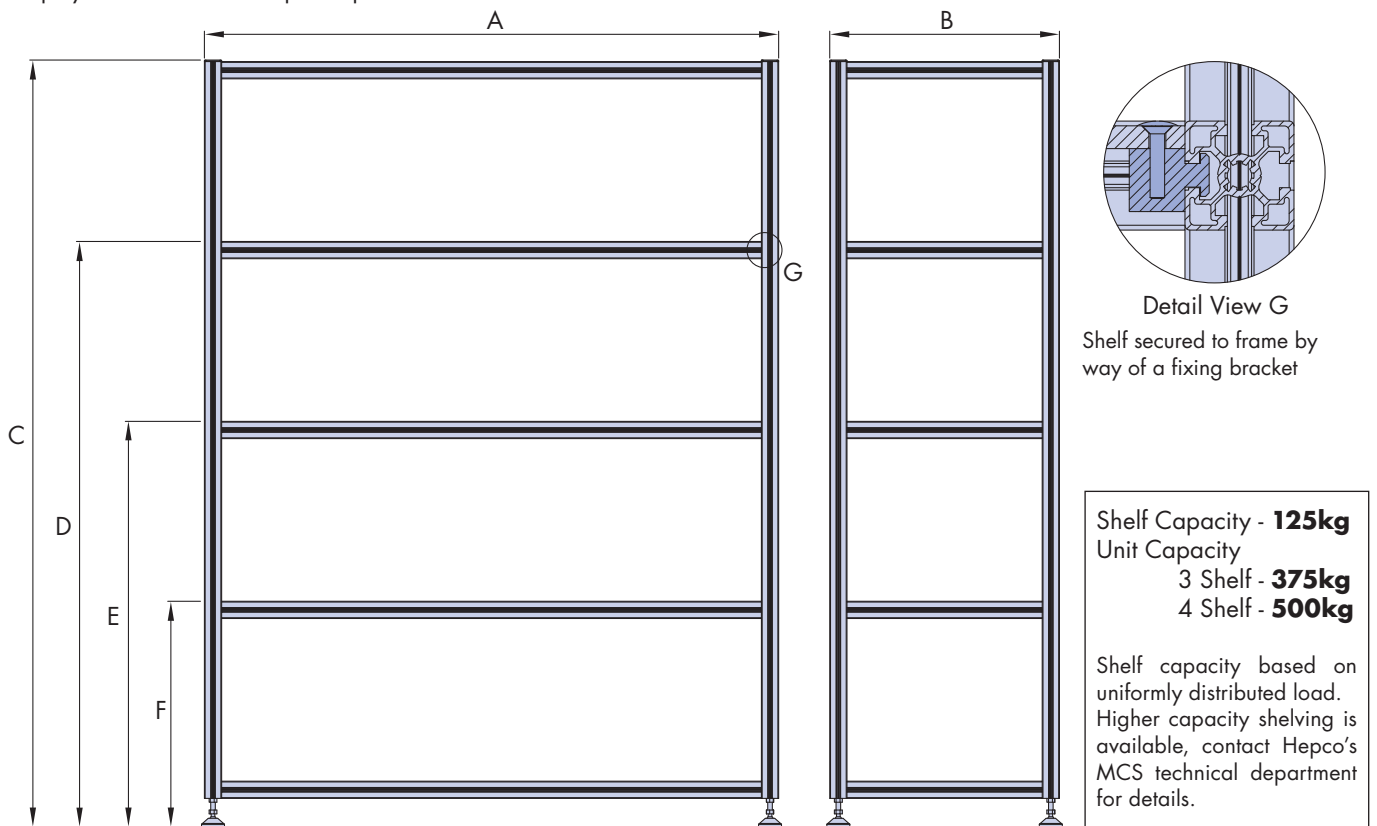
## Shelving Unit

The shelving unit is available in the following sizes:

- 3 standard lengths (**A**): **1200mm**, **1500mm** and **1800mm**.
- 2 standard widths (**B**): **600mm** and **900mm**.
- 2 standard heights (**C**): **1500mm** and **2000mm** which equates to a 3 or 4 shelf unit.
- All height dimensions will be  $\pm 30\text{mm}$  due to the adjustment in the feet.
- The shelving units will be supplied with melamine coated fibreboard shelves.
- The shelving unit can be customised to suit requirements with the addition of optional accessories, these include, side panels and doors, see pages 8-9 for more details.

Simply tick box for the required size in the table below and either email or fax back to us along with the customer enquiry form to enable a rapid quotation.

If our standard sizes are not suitable for your requirements and a more customised unit is required please fill in the required dimensions into the table below, add any additional profiles or dimensions required directly on the drawing below and send back with the customer enquiry form to enable a rapid response.



Standard Shelving Unit (MCSSU) Dimensions				
Simply put a tick in the box next to the required size				
<b>A</b>	1200	<input type="checkbox"/>	1500	<input type="checkbox"/>
<b>B</b>	600	<input type="checkbox"/>	900	<input type="checkbox"/>
<b>C*1</b>	2000	<input type="checkbox"/>		<input type="checkbox"/>
<b>D</b>	1500	<input type="checkbox"/>		<input type="checkbox"/>
<b>E</b>	1060	<input type="checkbox"/>		<input type="checkbox"/>
<b>F</b>	590	<input type="checkbox"/>		<input type="checkbox"/>

Custom Shelving Dimensions	
Please enter all dimensions in mm	
<b>A</b>	<input type="text"/>
<b>B</b>	<input type="text"/>
<b>C</b>	<input type="text"/>
<b>D</b>	<input type="text"/>
<b>E</b>	<input type="text"/>
<b>F</b>	<input type="text"/>

1. Please leave dimension C blank if only a three shelf unit is required

**Please fax or email this page along with the customer enquiry form directly to**

HepcoMotion®, Lower Moor Business Park,  
Tiverton Way, Tiverton, Devon, England EX16 6TG

**Tel: +44 (0) 1884 257000**

**Fax: +44 (0) 1884 243500**

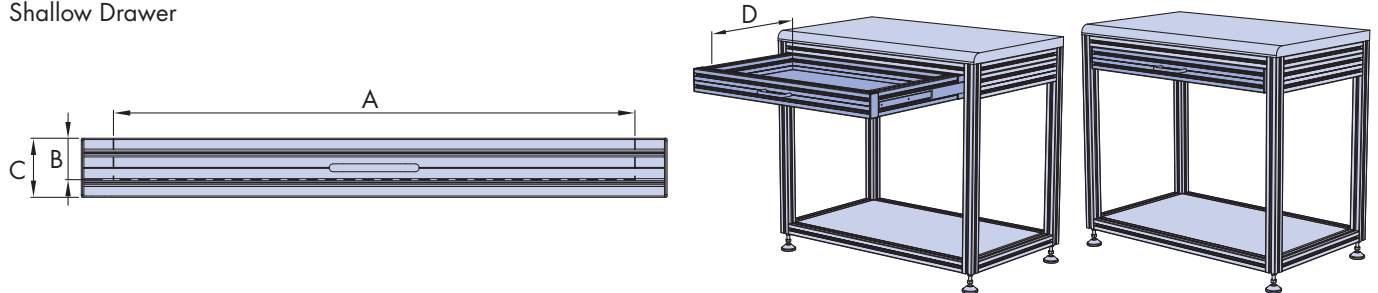
**E-mail: sales@hepcotion.com**

For any help or advice, please contact Hepco's MCS technical department.

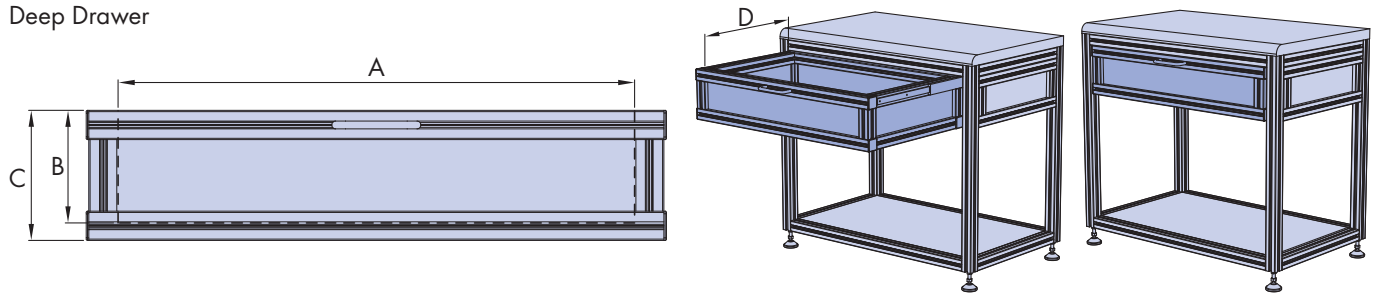
## Drawers

Drawers are available in three sizes and will fit the standard workbenches in this datasheet. Drawer bottoms will be made from melamine coated fibreboard, deep and extra deep drawers will have 5mm thick blue foam pvc panels in the sides.

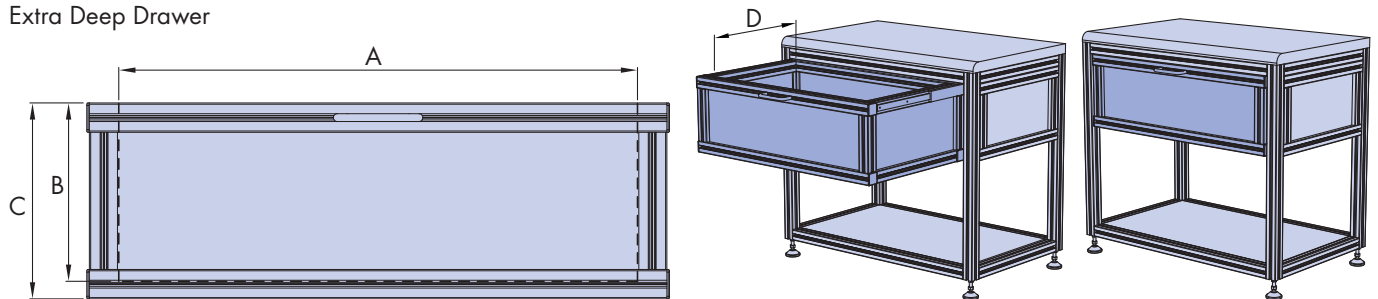
Shallow Drawer



Deep Drawer



Extra Deep Drawer



To fit workbench size	Shallow Drawer				Deep Drawer				Extra Deep Drawer			
	A	B	C	D	A	B	C	D	A	B	C	D
600x1200	1014	55	80	474	1014	175	200	474	1014	275	300	474
600x1500	1314				1314				1314			
600x1800	1614				1614				1614			
900x1200	1014	55	80	774	1014	175	200	774	1014	275	300	774
900x1500	1314				1314				1314			
900x1800	1614				1614				1614			

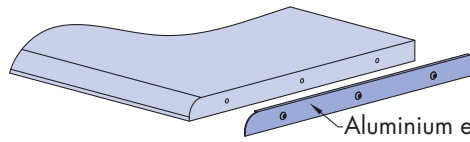
Drawers for MCS standard workbenches use standard HepcoMotion HTS telescopic ball bearing slides. They have a lock out feature which will lock the drawer in the open position to prevent accidental closure and can be released quickly by actuating the latch, the drawer will also extend to reveal the full drawer allowing easy access. The table on the right shows the maximum loading the drawers can take. Other HTS slides are available with different load ratings, please see main HTS catalogue for more information.

	600mm wide units	900mm wide units
Load Rating kg/pair	62kg	52kg



## Worktop

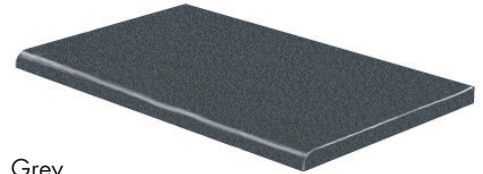
Laminated particulate boards are supplied as standard with all workbenches. They are available in two widths to suit the workbench, 600mm and 900mm, as shown below and are available in two colours, black and grey. 900mm wide worktops will be laminated along both long edges and be supplied with endcaps. 600mm wide worktops will be laminated along one long edge and supplied with aluminium end caps and a backing strip for the unlaminated long edge.



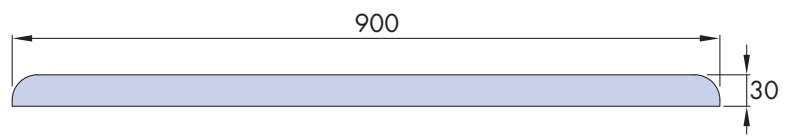
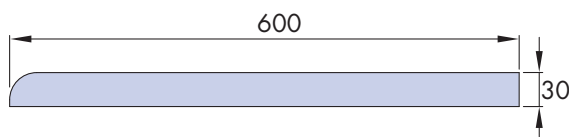
Aluminium endcaps supplied with all worktops



Black

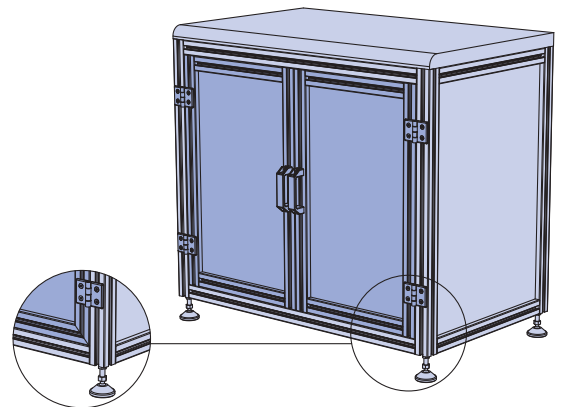


Grey



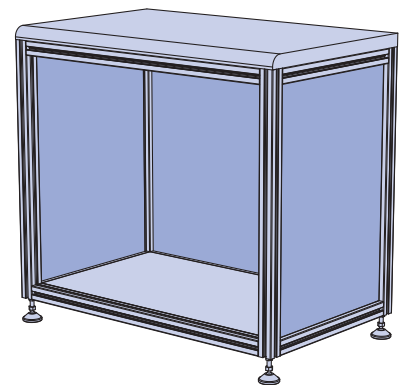
## Doors

Doors are available to fit all workbenches and will be supplied with 5mm thick blue foam pvc panels. Doors are also available with mitred corners, please specify at time of ordering.



## Side & Back Panels

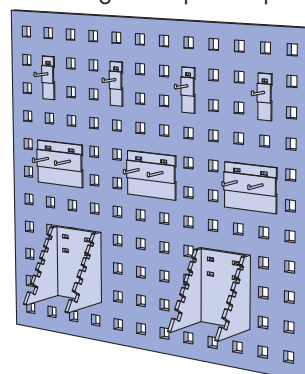
5mm thick blue foam pvc side and back panels are available to fit all workbenches.



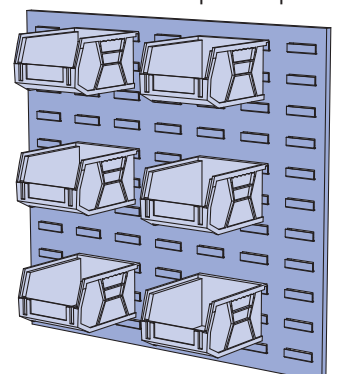
## Pegboard Panels

High backed workbenches will be supplied with powder coated steel pegboard panels as standard, this allows for easy mounting of components to the bench. If required powder coated steel louvre panels are also available, please specify when ordering.

Pegboard panel option



Louvre panel option



Items shown mounted on panels, shown for illustration purposes only, not supplied with units.

## Further Examples of Workbench and Storage Solutions

Shown below are further examples of workbench and storage solutions that can be achieved using alternative profiles. If you think an alternative solution would better suit your needs, please contact Hepco's MCS technical department to discuss your requirements.



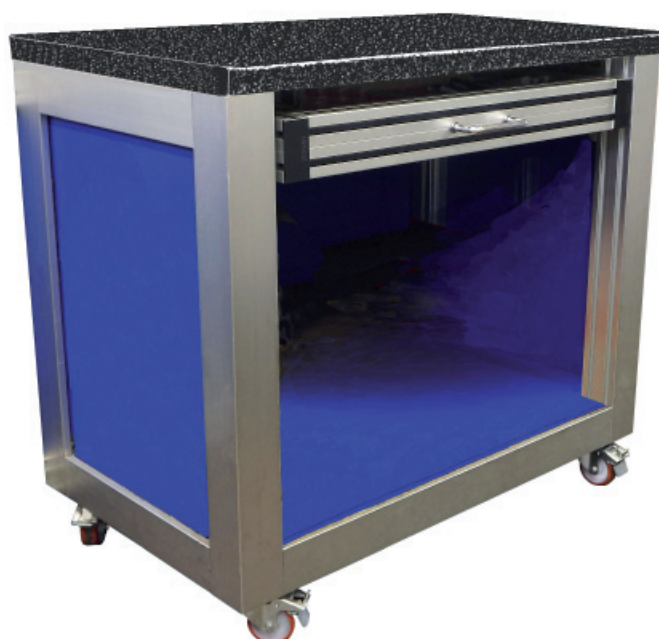
**Heavy Duty Workbench** shown with heavy duty MCS profile, worktop and feet.



**Heavy Duty Trolley** shown with heavy duty MCS profile worktop and castors.



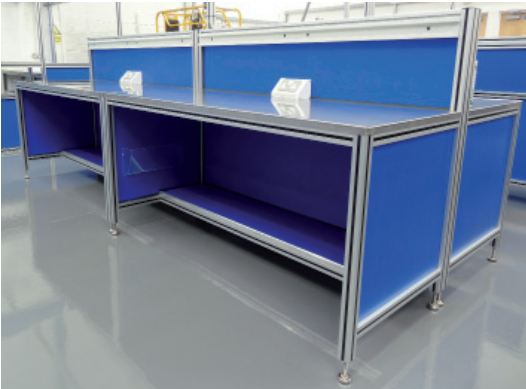
**Heavy Duty Workbench** with a deep drawer, extra shelf, worktop and feet. Shown with optional smooth sided profile.



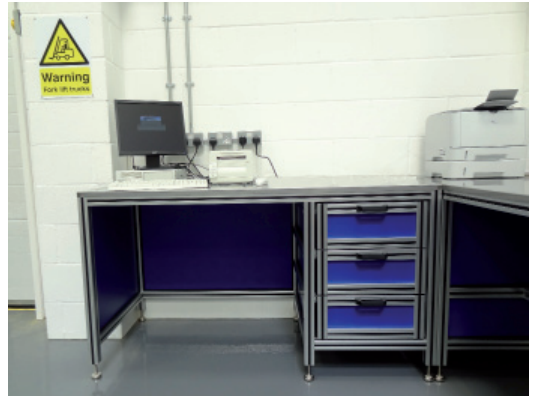
**Heavy Duty Trolley** shown with a shallow drawer, worktop, castors and optional smooth sided profile.

# Further Examples of Workbench and Storage Solutions

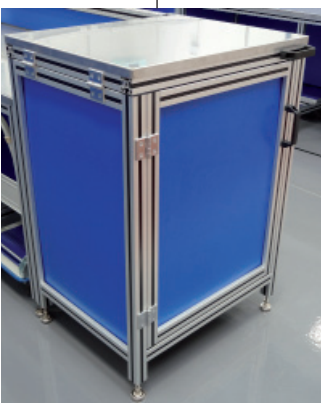
## Full Factory Solutions



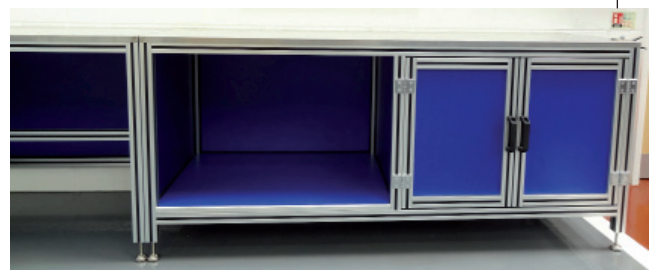
**Workbench** with non standard stainless steel work surface and steel feet.



**Workbench** used as a desk with three drawers on the right hand side, non standard stainless steel work surface and feet.



**Workbench** used as a cupboard with non standard stainless steel work surface, side panels and a door on the front.



**Workbench** with non standard stainless steel work surface, open space on the left and enclosed cupboard on the right.



Please return this page along with the required frame detail page (see pages 4-7)

Date:

Contact Name:

Company Name:

Address:

Tel:

Fax:

Email:

## Workbench Selection

MCSSW

MCSHBW

Size Required

MCSST

MCSSU

## Options and Accessories

Worktop

Black

Grey

Doors

Double Doors

Single Door

Drawers

Shallow Drawer

Deep Drawer

Extra Deep Drawer

Panels

Side panels

Back panels

Castors

Braked castors

No of braked castors

Profile

Smooth sided profile

Fully Assembled

All standard workbenches will be supplied flat packed as standard, if required they can be supplied fully assembled. Tick this box only if required fully assembled, otherwise leave blank.

### High back workbench only

High back workbenches will come supplied with pegboard back panels as standard, see page 9, If required louvre back panels can be supplied. Tick this box only if louvre back panels are required, otherwise leave blank.

Louvre Back Panels

Estimated weight the frame is required to hold

Additional Notes

HepcoMotion®, Lower Moor Business Park,  
Tiverton Way, Tiverton, Devon, England EX16 6TG

Tel: +44 (0) 1884 257000

Fax: +44 (0) 1884 243500

E-mail: sales@hepcotion.com

Scan this QR code to link directly to the HepcoMotion Home page

